

## MST 1-PHASE SAFETY TRANSFORMER

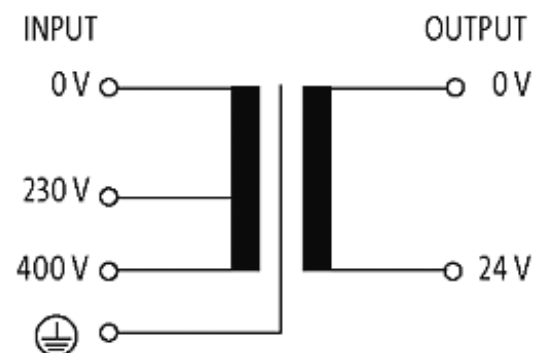
P: 800VA IN: 230/400VAC OUT: 24VAC

Single-phase safety transformer  
800 VA  
Isolation class T 40/B

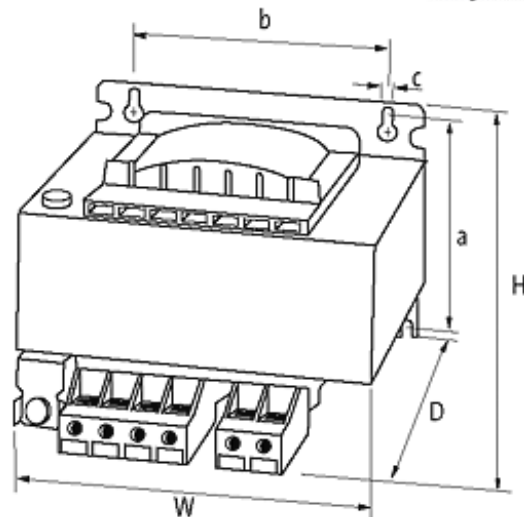
Other voltages on request.

### [Link to Product](#)

#### Illustration



stay connected



Product may differ from Image

### Approvals



### Input

Input voltage	230/400 V AC
Frequency	50...60 Hz
Input current	3.5 A (230 V AC); 2 A (400 V AC)
Inrush current	50 A (230 V AC); 29 A (400 V AC)
Short-circuit current	219 A (110 V AC)

### General data

Standards	EN 61558-1, EN 61558-2-6, EN 62041 category 0
Test isolation voltage	4 kV (prim./sec.)
Mounting method	Key-hole mounting
Temperature range	-20...+40 °C (storage temperature -40...+80 °C)
Dimensions H x W x D	136.3x150x149 mm
Fixing centers a x b x c	107.5x122x7 mm
Drill hole Ø	7x11 mm

### Output

Output voltage	24 V AC (SELV)
Output rating	800 VA

### Commercial data

country of origin	CZ
customs tariff number	85043180
EAN	4048879078573
eClass	27031302

The information in this brochure has been compiled with the utmost care.

Liability for the correctness completeness and topicality of the information is restricted to gross negligence. Version: 05/17

Murrelektronik GmbH | Falkenstraße 3 | 71570 Oppenweiler | Fon +49 (71 91) 47-0 | Fax +49 (71 91) 47-491000 | shop@murrelektronik.de | shop.murrelektronik.de

minimum order quantity

1